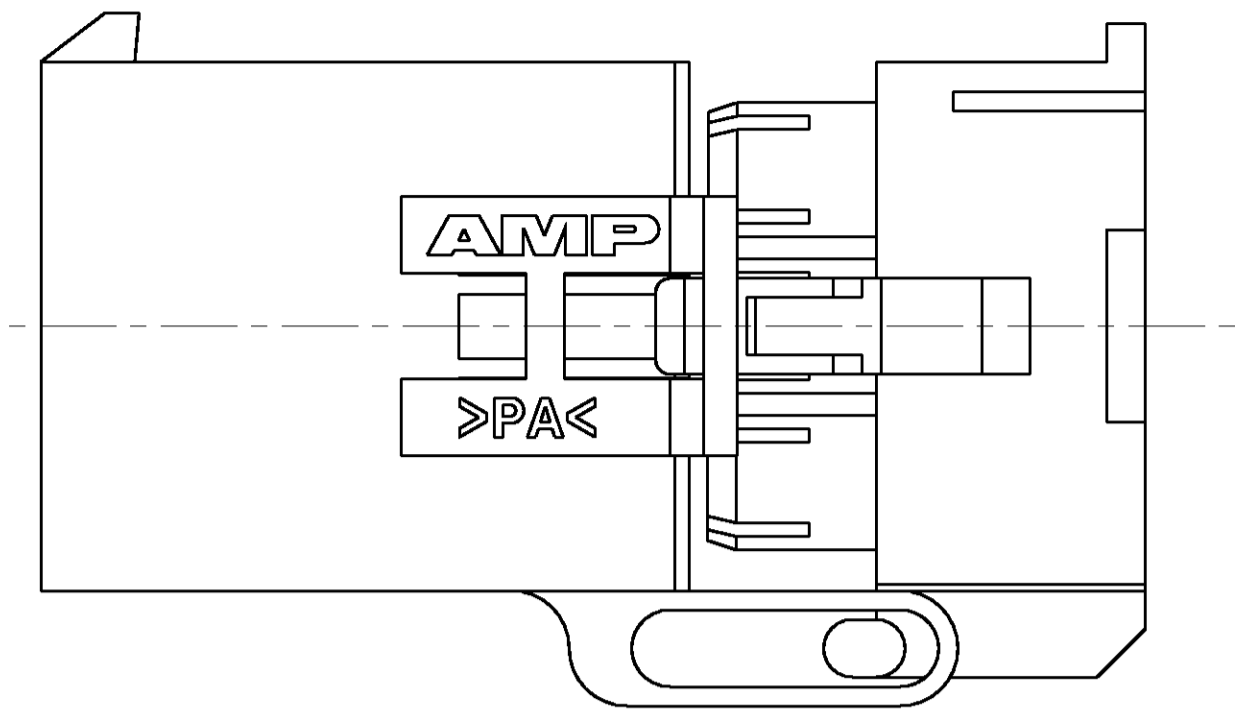
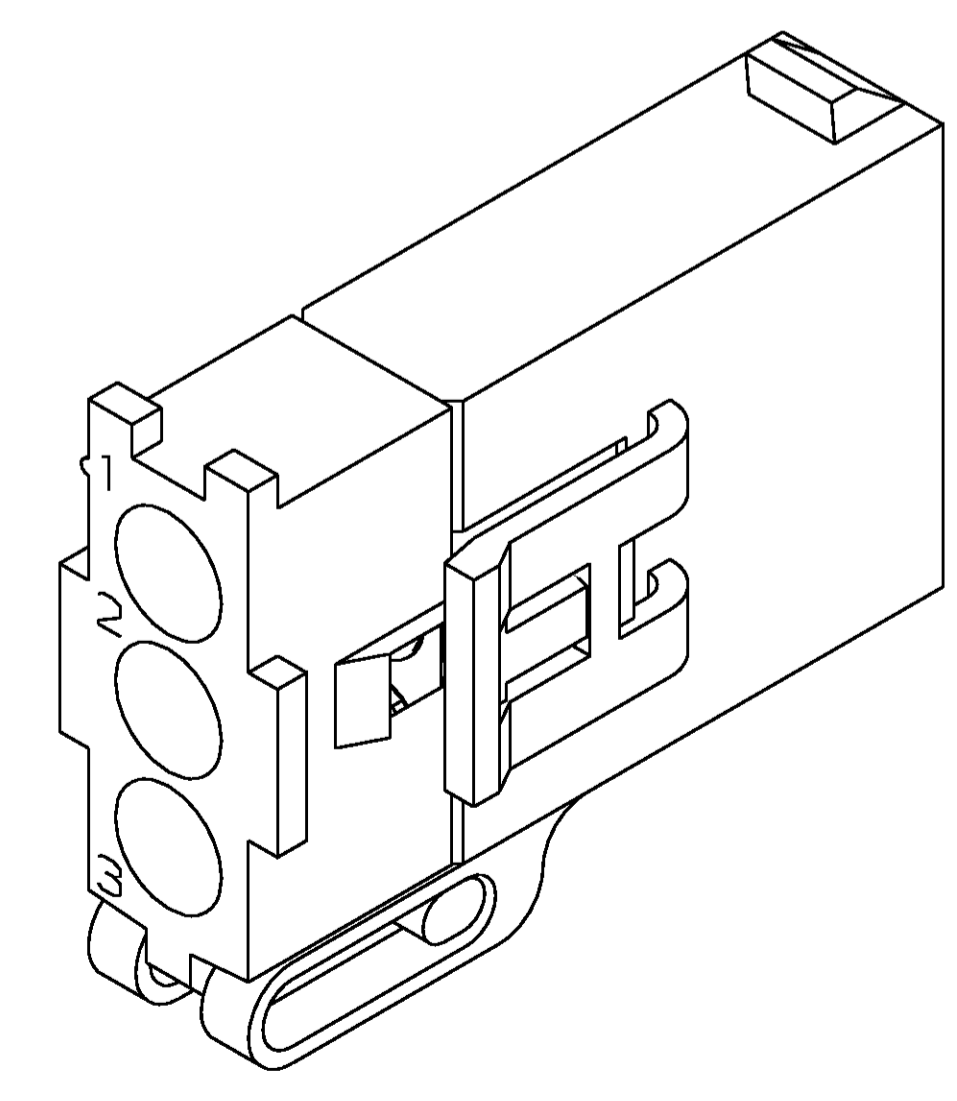
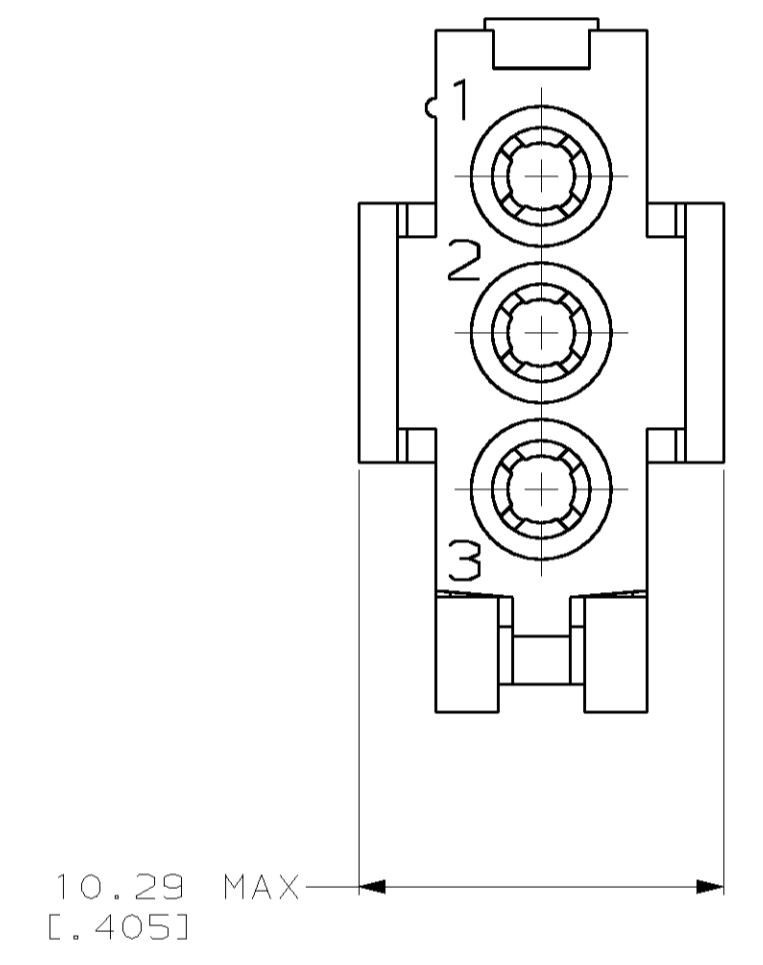
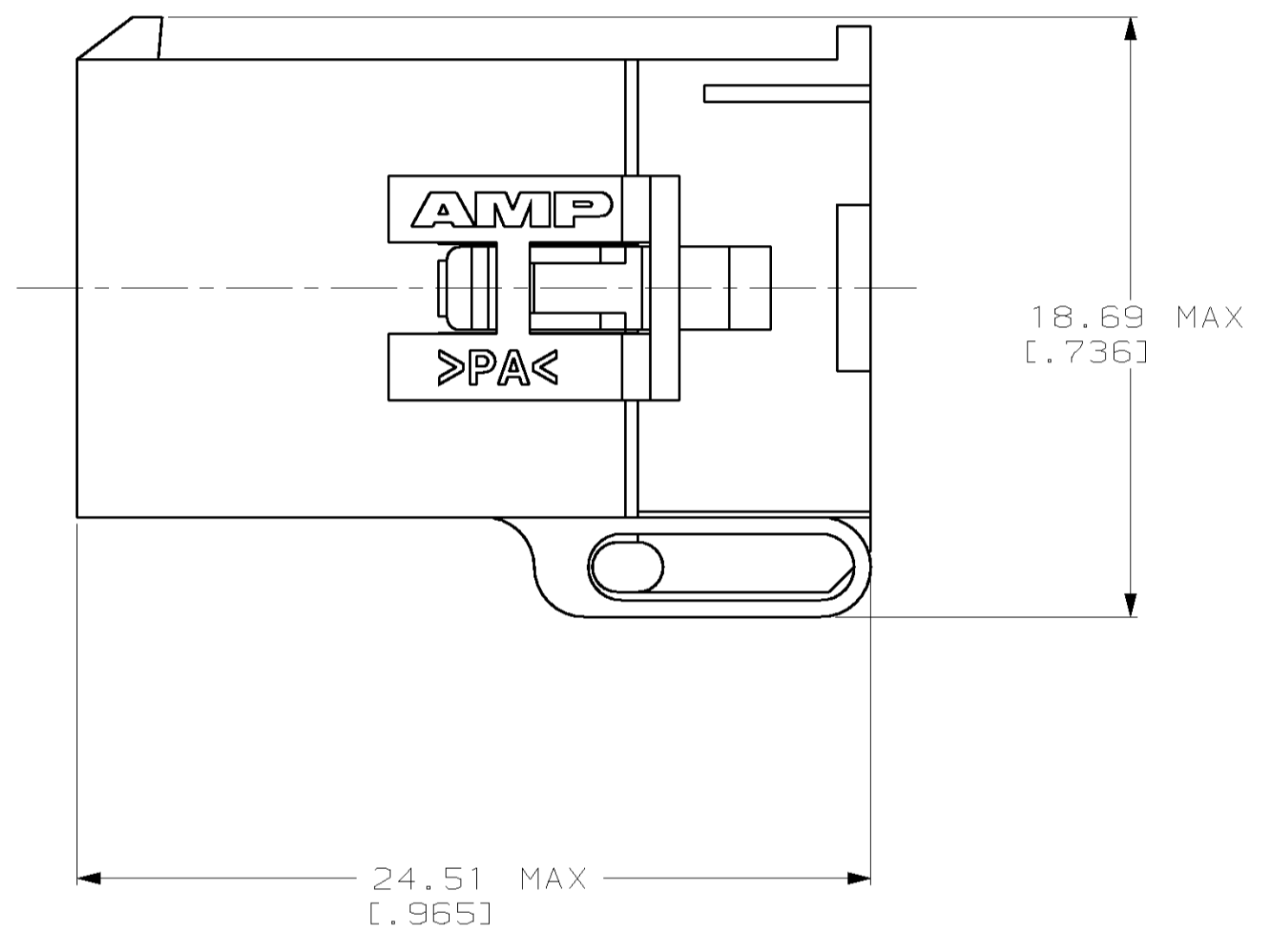
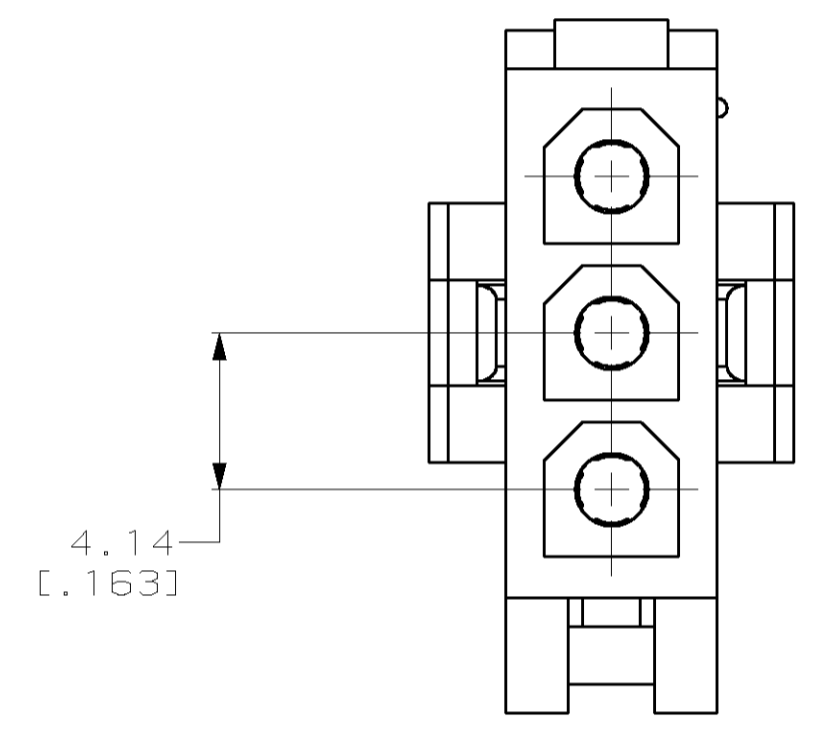


| LOC |    | DIST |     | REVISIONS                   |           |     |      |
|-----|----|------|-----|-----------------------------|-----------|-----|------|
| CM  | 53 | FR   | LYR | DESCRIPTION                 | DATE      | DWN | APVD |
| C   |    |      |     | REVISED PER EC 063B-0375-03 | 06-JUN-03 | KW  | CJ   |



PRE-STAGED CONDITION

1. DIMENSIONS IN BRACKETS ARE IN INCHES.



3-DIMENSIONAL MODEL  
NTS

794187-1  
PART NUMBER

**METRIC**

|  |  |                              |  |
|--|--|------------------------------|--|
| THIS DRAWING IS A CONTROLLED DOCUMENT. |  | DWN<br>K. WHITAKER 5-09-97   | <b>AMP</b> AMP Incorporated<br>Harrisburg, PA 17105-3608   |
|  |  | CHK<br>R. SWING 5-09-97      |  |
|  |  | APP'D<br>E. ORSTAD 5-09-97   | NAME<br>CAP,<br>3 CIRCUIT,<br>MINI UNIVERSAL MATE-N-LOK™ 2 |
| DIMENSIONS:                            |  | PRODUCT SPEC                 |  |
| mm                                     | TOLERANCES UNLESS OTHERWISE SPECIFIED: | APPLICATION SPEC             |  |
|  | 0 PLC ±0.13 (0.005)                    | RESTRICTED TO                |  |
|  | 1 PLC ±0.13 (0.005)                    | SIZE CAGE CODE DRAWING NO    |  |
|  | 2 PLC ±0.13 (0.005)                    | A1 00779 C-794187            |  |
|  | 3 PLC ±0.13 (0.005)                    | WEIGHT                       |  |
|  | 4 PLC ±0.13 (0.005)                    | CUSTOMER DRAWING             |  |
|  | ANGLES ±0°30'                          | SCALE 5:1 SHEET 1 OF 1 REV C |  |
| MATERIAL NYLON, JL 94V-0, NATURAL      | FINISH -                               |                              |  |